



TECHNICAL GUIDE

UP TO 98% AFUE MODULATING ECM RESIDENTIAL GAS FURNACES MULTI-POSITION MODELS: YP9C*C

NATURAL GAS
60 - 120 MBH INPUT



Due to continuous product improvement, specifications are subject to change without notice.

Visit us on the web at www.york.com for the most up-to-date technical information.

Additional rating information can be found at www.ahridirectory.org

WARRANTY SUMMARY

A 20-year limited warranty on heat exchangers in residential applications.

A 10-year warranty on the heat exchanger in commercial applications.

Standard 5-year limited Parts warranty.

Extended residential limited lifetime heat exchanger and 10-year limited parts warranty when product is registered online within 90 days of purchase for replacement or within 90 days of closing for new home construction.

See Limited Warranty certificate in Users Information Manual for details.

DESCRIPTION

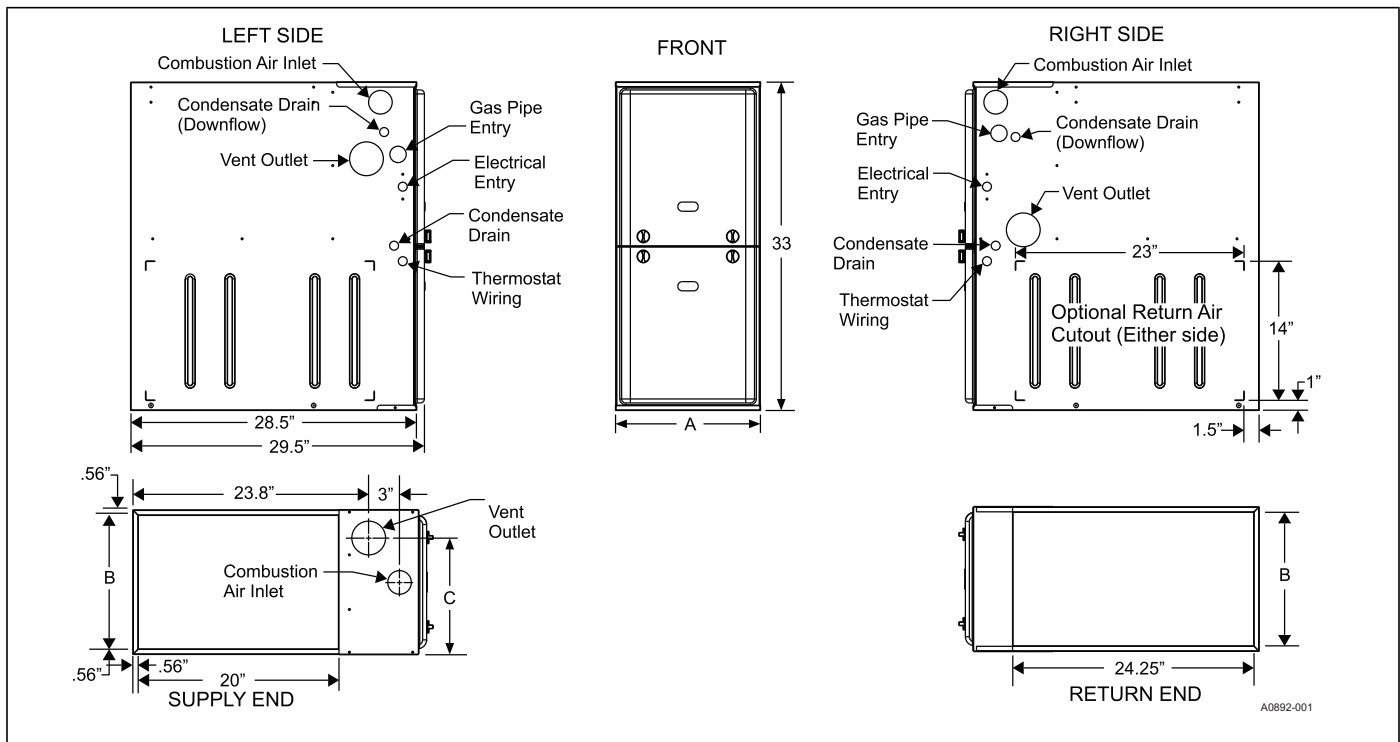
These compact units employ induced combustion, reliable hot surface ignition and high heat transfer aluminized tubular heat exchangers. The units are factory shipped for installation in upflow or horizontal applications and may be converted for downflow applications.

These furnaces are designed for residential installation in a basement, closet, alcove, attic, recreation room or garage and are also ideal for commercial applications. All units are factory assembled, wired and tested to assure safe dependable and economical installation and operation.

These units are Category IV, National Fuel Gas Code and may be vented either through side wall or roof applications using approved plastic combustion air and vent piping. Approved plastic combustion air and vent piping include Selkirk Polyflue, Duravent Polypro, & Centrotherm InnoFlue polypropylene venting systems.

FEATURES

- Modulating heating operation includes:
 - Modulating gas valve, inducer and circulating blower
 - Modulating operation from 100% to 35% input in 1% increments with nearly constant temperature rise.
- Easily applied in upflow, horizontal left or right, or downflow installation with minimal conversion necessary.
- Compact, easy to install, ideal height 33" tall cabinet.
- ECM variable speed drive for cooling SEER enhancement, improved comfort with optional airflow delay profiles, and continuous fan options for IAQ performance.
- Easy access to controls to connect power/control wiring.
- Built-in, high level self diagnostics with fault code display.
- Low unit amp requirement for easy replacement application.
- All models are convertible to use propane (LP) gas.
- Electronic Hot Surface Ignition saves fuel cost with increased dependability and reliability.
- 100% shut off main gas valve for extra safety.
- 24V, 40 VA control transformer and blower relay supplied for add-on cooling.
- Airflow leakage less than 1% of nominal airflow for duct performance testing conditions.
- Solid removable bottom panel allows easy conversion.
- Hi-tech tubular aluminized steel primary heat exchanger with stainless steel tube/aluminum fin secondary heat exchanger for outstanding efficiency.
- No knockouts to deal with, making installation easier.
- Movable duct connector flanges for application flexibility.
- Quiet inducer operation, burner, and blower operation.
- Inducer rotates for easy conversion of venting options.
- Fully supported blower assembly for easy access and removal of blower.
- External air filters used for maximum flexibility in meeting customers IAQ needs.
- Insulated blower compartment for thermal and acoustic performance.
- 1/4 turn knobs provided for easy independent door removal.
- Internal condensate trap design (patent pending) provides condensate management options and is self priming to prevent nuisance problems.
- These models may be connected as part of a communicating control system using a 4-wire connection bus.
- The York YP9C modulating ECM furnace is part of a "Hybrid Comfort System" when paired with a York Heat Pump.



Cabinet and Duct Dimensions

Models	Nominal CFM	Cabinet Size	Cabinet Dimensions (Inches)		
			A	B	C
YP9C060B12MP13C	1200	B	17 1/2	16 3/8	13 1/4
YP9C080B12MP13C	1200	B	17 1/2	16 3/8	14 3/4
YP9C080C16MP13C	1600	C	21	19 7/8	16 1/2
YP9C100C16MP13C	1600	C	21	19 7/8	18 1/4
YP9C100C20MP13C	2000	C	21	19 7/8	18 1/4
YP9C120D20MP13C	2000	D	24 1/2	23 3/8	21 3/4

Ratings & Physical / Electrical Data

Models	Input Max/Min	Output Max/Min	AFUE	Nominal Airflow	Total Unit Amps	Air Temp. Rise Max Input	Air Temp. Rise Min Input
	MBH	MBH				%	CFM
YP9C060B12MP13C	60/21	58/20	97.5	1200	11.5	40-70	20-50
YP9C080B12MP13C	80/28	77/27	97.5	1200	11.5	40-70	20-50
YP9C080C16MP13C	80/28	78/27	97.7	1600	13.4	40-70	20-50
YP9C100C16MP13C	100/35	97/34	97.7	1600	13.4	40-70	20-50
YP9C100C20MP13C	100/35	97/34	97.7	2000	16.6	45-75	25-55
YP9C120D20MP13C	120/42	116/40	98.0	2000	16.6	45-75	25-55
Models	Max. Outlet Air Temp	Blower		Blower Wheel Size	Recommended Fuse or Circuit Breaker Amps	Gas Pipe Connection, NPT	Approximate Operating Weights
	°F	HP	Amps	Inches			Lbs
YP9C060B12MP13C	190	1/2	7.7	11 x 8	15	1/2"	113
YP9C080B12MP13C	190	1/2	7.7	11 x 8	15	1/2"	119
YP9C080C16MP13C	190	3/4	9.6	11 x 10	15	1/2"	134
YP9C100C16MP13C	190	3/4	9.6	11 x 10	15	1/2"	140
YP9C100C20MP13C	190	1	12.8	11 x 11	20	1/2"	143
YP9C120D20MP13C	190	1	12.8	11 x 11	20	1/2"	152

Annual Fuel Utilization Efficiency (AFUE) numbers are determined in accordance with DOE Test procedures. Wire size and over current protection must comply with the National Electrical Code (NFPA-70-latest edition) and all local codes. The furnace shall be installed so that the electrical components are protected from water.

FILTER PERFORMANCE

The airflow capacity data published in the “Blower Performance” table represents blower performance WITHOUT filters.

All applications of these furnaces require the use of field installed air filters. All filter media and mounting hardware or provisions must be field installed external to the furnace cabinet. DO NOT attempt to install any filters inside the furnace.

NOTE: Single side return above 1800 CFM is approved as long as the filter velocity does not exceed filter manufacturer’s recommendation and a transition is used to allow use of a 20 x 25 filter.

Recommended Filter Sizes

CFM	Cabinet Size	Side (in)	Bottom (in)
1200	B	16 x 25	16 x 25
1600	C	16 x 25	20 x 25
2000	C	(2) 16 x 25	20 x 25
2000	D	(2) 16 x 25	22 x 25

NOTES:

- Air velocity through throwaway type filters may not exceed 300 feet per minute (91.4 m/min). All velocities over this require the use of high velocity filters.
- Do not exceed 1800 CFM using a single side return and a 16x25 filter. For CFM greater than 1800, you may use two side returns or one side and the bottom or one return with a transition to allow use of a 20x25 filter.

Unit Clearances to Combustibles

Application	Upflow	Downflow	Horizontal
Top	1"	0"	0"
Vent	0"	0"	0"
Rear	0"	0"	0"
Side	0"	0"	1"
Front ¹	0"	0"	0"
Floor	Combustible	Combustible ²	Combustible
Closet	Yes	Yes	Yes
Line Contact	No	No	Yes

- Line contact only permitted between lines formed by the intersection of the rear panel and side panel (top in horizontal position) of the furnace jacket and building joists, studs or framing.
- For combustible floors only when used with special sub-base. All furnaces approved for alcove and attic installation.

ACCESSORIES

Propane (LP) Conversion Kit - This accessory conversion kit may be used to convert natural gas units for LP operation.

Do not use Conversion Kit S1-1NP0680 with these models, as the control/gas valve combination have been updated, and that Kit S1-1NP0680 will not function correctly with these models.

S1-1NP0681 - All Models

LP Stainless Steel Burner Kit - This accessory conversion kit may be used to convert existing burners to stainless steel burners for LP use only.

S1-32926889000 - All LP Models

Natural (NAT) Gas Stainless Steel Burner Kit - This accessory kit may be used to replace existing burners with stainless steel burners for NAT gas use only.

S1-32924441000 - All NAT gas Models

Concentric Vent Termination - For use through rooftop, sidewall. Allows combustion air to enter and exhaust to exit through single common hole. Eliminates unsightly elbows for a cleaner installation.

S1-1CT0302 (2")

S1-1CT0303 (3")

Sidewall Vent Termination Kit - For use on sidewall, two-pipe installations only. Provide a more attractive termination for locations where the terminal is visible on the side of the home.

S1-1HT0901 (3")

S1-1HT0902 (2")

Condensate Neutralizer Kit - Neutralizer cartridge has a 1/2" plastic tube fittings for installation in the drain line. Calcium carbonate refill media is available from the Source 1 Parts (p/n 026-30228-000).

S1-1NK0301

Side Return Filter Racks - The S1-1SR0200 Kit accommodates a 1", 2" or 4" filter. The S1-1SR0402 Kit accommodates a 1" filter only.

S1-1SR0200 - All Models

S1-1SR0402 - All Models

Bottom Return Filter Racks - The S1-1BR05* series are galvanized steel filter racks. The S1-1BR06* series are pre-painted steel filter racks to match the appearance of the furnace cabinet. The S1-1BR05* and S1-1BR06* series filter racks accommodate a 1", 2" or 4" filter.

S1-1BR0514 or S1-1BR0614 - For 14-1/2" cabinets

S1-1BR0517 or S1-1BR0617 - For 17-1/2" cabinets

S1-1BR0521 or S1-1BR0621 - For 21" cabinets

S1-1BR0524 or S1-1BR0624 - For 24-1/2" cabinets

Combustible Floor Base Kit - These kits are required to prevent potential overheating situations when the furnaces are installed in downflow applications directly onto combustible flooring material. These kits are also required in any applications where the furnace is installed in a downflow configuration without an indoor coil and where the combustible floor base kit provides access for combustible airflow.

S1-1CB0514 - For 14-1/2" cabinets

S1-1CB0517 - For 17-1/2" cabinets

S1-1CB0521 - For 21" cabinets

S1-1CB0524 - For 24-1/2" cabinets

High Altitude - No high altitude kits are required.

Thermostats - Compatible thermostat controls are available through accessory sourcing. For optimum performance, these outdoor units are fully compatible with our York touch screen thermostat with proprietary (patent-pending) hexagon interface. For more information, see the thermostat section of the Product Equipment Catalog.

S1-THXU280 - All Models

Blower Performance CFM - Any Position

High / Low Speed Cooling and Heat Pump CFM							
060B12		080B12		080C16		Jumper Settings	
HIGH	LOW	HIGH	LOW	HIGH	LOW	COOL Jumper	ADJ Jumper
1425	838	1228	834	1741	1049	H	B
1087	714	1058	739	1505	916	MH	B
1200	771	1143	781	1446	946	H	A
996	658	952	686	1343	843	MH	A
1075	703	1037	728	1402	858	H	C
861	579	845	611	1255	799	ML	B
895	590	866	622	1167	769	MH	C
669	454	686	505	1005	666	L	B
782	533	792	568	1108	710	ML	A
613	421	632	473	916	593	L	A
714	477	739	526	990	637	ML	C
556	421	579	473	828	534	L	C
100C16		100C20		120D20		Jumper Settings	
HIGH	LOW	HIGH	LOW	HIGH	LOW	COOL Jumper	ADJ Jumper
1757	1093	2105	1423	2176	1374	H	B
1531	966	1724	1121	1733	1100	MH	B
1474	995	1945	1282	1986	1248	H	A
1376	896	1583	1021	1585	1016	MH	A
1432	910	1744	1141	1775	1121	H	C
1291	854	1543	961	1501	973	ML	B
1206	825	1423	880	1374	910	MH	C
1051	727	1302	800	1248	847	L	B
1150	769	1423	840	1332	889	ML	A
966	656	1182	700	1163	784	L	A
1037	698	1242	760	1206	805	ML	C
882	600	1081	599	1037	699	L	C

All CFM's are shown at 0.5" w.c. external static pressure. These units have variable speed motors that automatically adjust to provide constant CFM from 0.0" to 0.6" w.c. static pressure. From 0.6" to 1.0" static pressure, CFM is reduced by 2% per 0.1" increase in static. Operation on duct systems with greater than 1.0" w.c. external static pressure is not recommended.

NOTE: At some settings, LOW COOL airflow may be lower than what is required to operate an airflow switch on certain models of electronic air cleaners. Consult the instructions for the electronic air cleaner for further details.